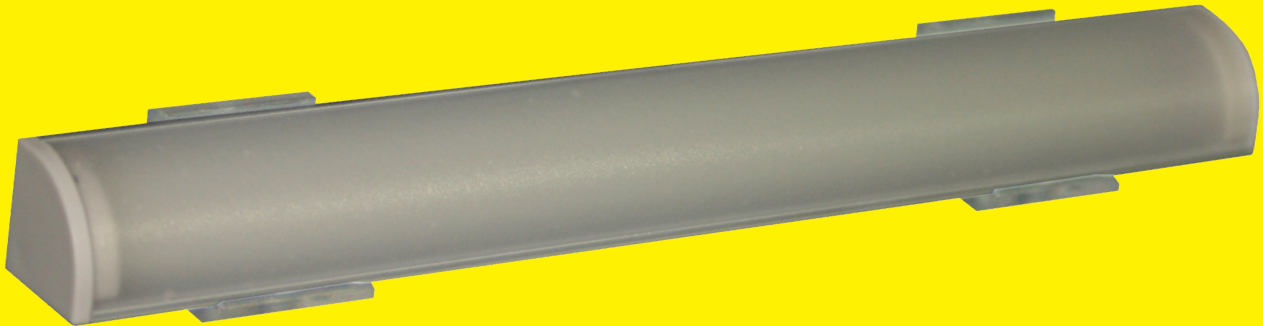
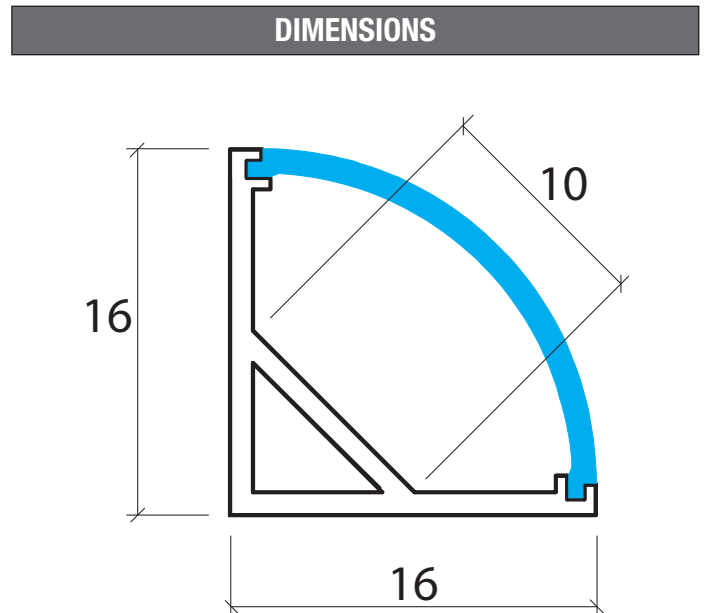


LEDCHAN200



Corner Mount Profile

SPECIFICATION	
CODE	LEDCHAN200FL (with frosted lens)
CODE	LEDCHAN200OL (with opal lens)
CODE	LEDCHAN200EC1 (endcap without wire hole)
CODE	LEDCHAN200EC2 (endcap with wire hole)
CODE	LEDCHAN200MC (mounting clip)
SUITABLE STRIPS	Interior strips up to 19.2W/m
LENGTHS	2m & 4m or cut to size
DIMENSIONS	20W x 20D
ALUMINIUM	6063 structural grade
LENS	PMMA (type of acrylic - interior use)
ANODISING	8micron natural colour



FEATURES:

- # Simple screw fixing or clip fixing.
- # Aluminium body provides heat sinking for LED strips.
- # Spot free even illumination with appropriate strips.

NOTE:

- # Counter sunk screw fixing through profile base or using mounting clips.

APPLICATIONS:

- # Corner mounted.
- # Retail display lighting.
- # Kitchen cabinets.
- # Bathroom cabinets.
- # Wardrobes etc.